



CS₂/CF-100

Carbon Disulfide Gas Sensor in Compact Housing

Measurement

Operation Principle	3-Electrode Electrochemical
Nominal Range	0 - 100 ppm
Maximum Overload	200 ppm
Inboard Filter	To remove acidic gases
Output Signal	200 ± 50 nA/ppm
Resolution (Electronics dependent)	< 0.1 ppm
T90 Response Time	< 30 s
Typical Baseline Range (pure air, 20°C)	-1 ppm to 1 ppm
Maximum Zero Shift (+20°C to +40°C)	N.D.
Repeatability	< 2 % of signal
Output Linearity	Linear
Gain	-

Electrical

Rec. Load Resistor	10 Ohm
Bias (V _{Sens} -V _{Ref})	not recommended
Conformity to RoHS directive	RoHS Compliance

Environmental

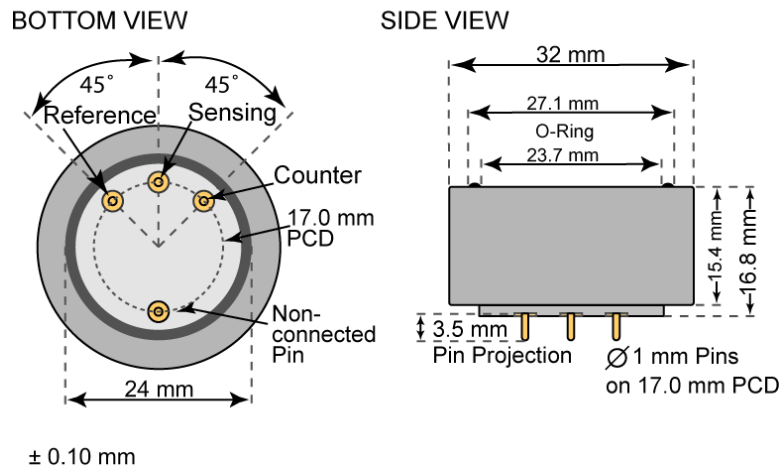
Relative Humidity Range	15 % to 90 % R.H. non-condensing
Temperature Range	-40 °C to 50 °C
Pressure Range	Atmospheric ± 10%
Pressure Coefficient	N.D.
Humidity Effect	None

Lifetime

Expected Operation Life	2 years in air
Expected Long Term Output Drift in air	< 2 % signal loss per month
Filter Life	-
Storage Life	6 months in container
Rec. Storage Temperature	5°C - 20°C
Warranty Period	12 months from date of dispatch



Compact-Size Outline Dimensions



Mechanical

Weight 13 g
Position Sensitivity None

Applications

Discontinuous Measurement
Safety and Process Control

Cross Sensitivity Data

The table below does not claim to be complete. Interfering gases should not be used for calibration. Please contact Memrapor AG for further support regarding cross sensitivities.

Interfering Gas	Concentration [ppm]	Reading [ppm]
C ₂ H ₄	100	< 2
CO	250	5
H ₂	100	0
H ₂ S	20	0
NO	100	0
NO ₂	20	0
PH ₃	20	0
SO ₂	100	0