

SPECIFICATION SHEET FOR HYDROGEN-PEROXIDE SENSOR TYPE H2O2/SB-100

PERFORMANCE CHARACTERISTICS

| | |
|---|----------------------------------|
| Nominal Range | 0 – 100 ppm |
| Maximum Overload | 200 ppm |
| Expected Operation Life | 2 years in air |
| Output Signal | 1'100 ± 300 nA/ppm |
| Resolution | 0.2 ppm |
| Temperature Range | - 20 °C to 45 °C |
| Pressure Range | Atmospheric ± 10% |
| Pressure Coefficient | No data |
| T ₉₀ Response Time | < 60 sec |
| Relative Humidity Range | 15 % to 90 % R.H. non-condensing |
| Typical Baseline Range (pure air, 20°C) | 0 to 2 ppm |
| Maximum Zero Shift (+20°C to +40°C) | N.D. |
| Long Term Output Drift | < 2% signal loss/month |
| Recommended Load Resistor | 10 Ohm |
| Bias Voltage | + 300 mV |
| Repeatability | < 2 % of signal |
| Output Linearity | Linear |

CROSS-SENSITIVITY DATA

| Interfering Gas | Concentration | Reading |
|-----------------|---------------|---------|
| SO ₂ | 20 ppm | ~20 ppm |

Performance data conditions:
20 °C, 50% RH and 1013 mbar

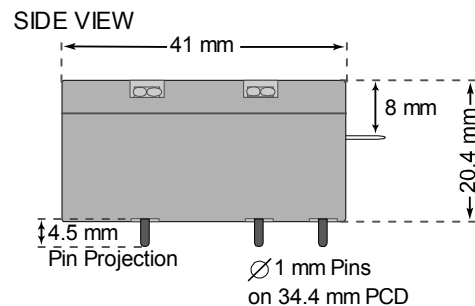
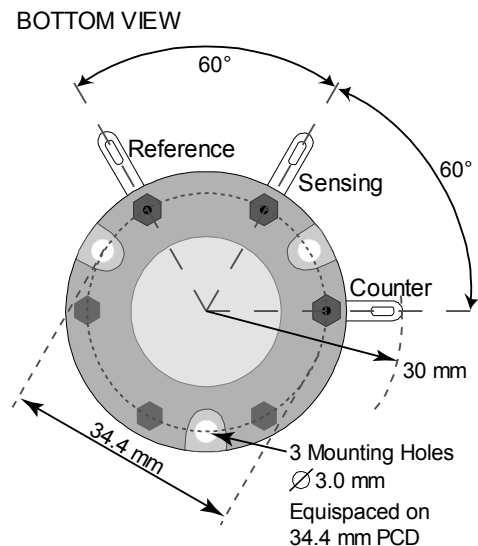
APPLICATIONS

Sterilisation processes

PHYSICAL CHARACTERISTICS

| | |
|---------------------------------|---------------------------------|
| Weight | ~ 32 g |
| Position Sensitivity | None |
| Storage Life | Six months in container |
| Recommended Storage Temperature | 5 °C – 20 °C |
| Warranty Period | 12 months from date of dispatch |

Standard-Size Outline Dimensions



The data contained in this document is for guidance only. Membrapor AG accepts no liability for any consequential losses, injury or damage resulting from the use of this document or the information contained within it. The data is given for guidance only. Customers should test under their own conditions, to ensure that the sensors are suitable for their own requirements.

REV.: 12/2011

Page 1 of 1

Phone: +41 43 311 72 00
Fax : +41 43 311 72 01
Email: info@membrapor.ch
www.membrapor.ch

MEMBRAPOR AG
Birkenweg 2
CH-8304 Wallisellen
Switzerland