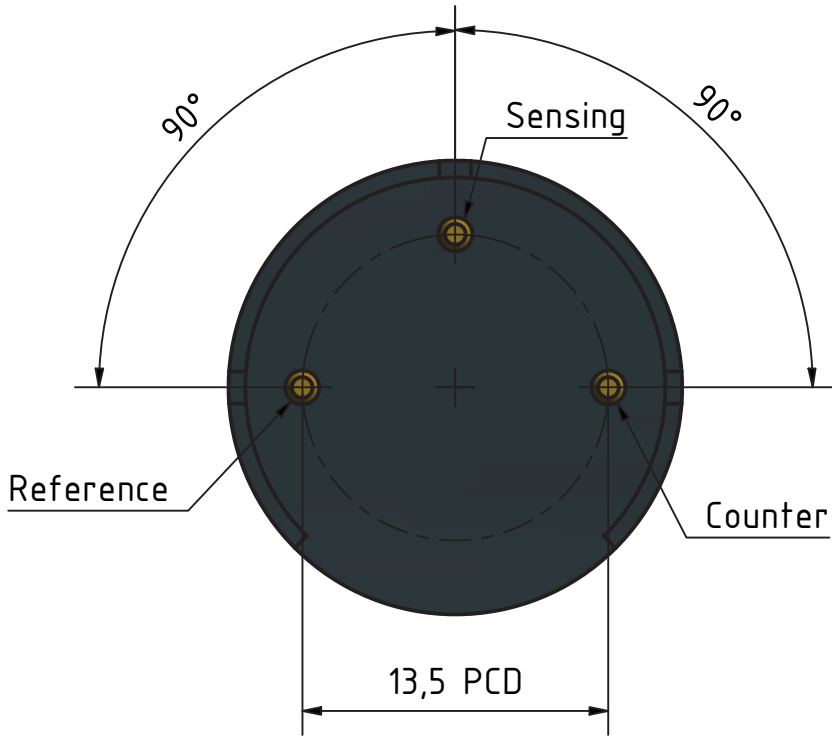
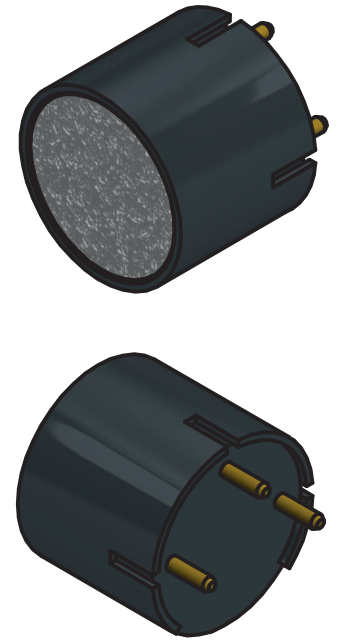
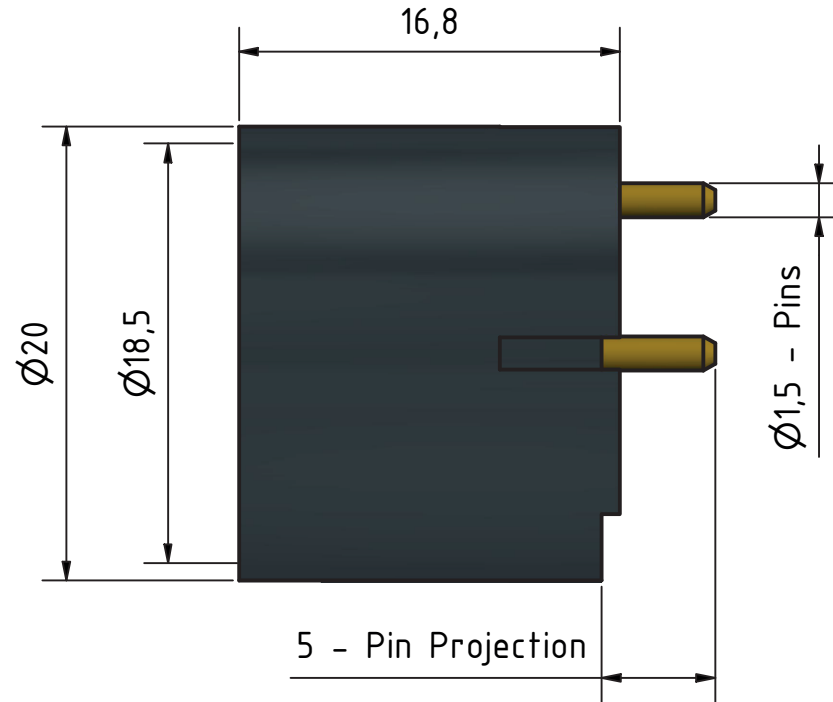


Mini-Size Outline Dimensions

Bottom View



Side View



Tolerance $\pm 0.1\text{mm}$