



Nitrogen Dioxide Gas Sensor NO2/V-200

NO2 Gas Sensor in Vantage Housing

Key Features

- Operable in Harsh Conditions with Temperatures up to 60°C

Applications

- Stack/ Flue Gas Monitoring
- Emission Monitoring

Measurement

| | |
|--|-----------------------------|
| Operation Principle | 3-Electrode Electrochemical |
| Nominal Range | 0 - 200 ppm |
| Maximum Overload | 1000 ppm |
| Inboard Filter | - |
| Output Signal | - 370 ± 70 nA/ppm |
| Resolution (Electronics dependent) | < 0.2 ppm |
| T90 Response Time | < 60 s |
| Typical Baseline Range (pure air, 20°C) | -1.0 ppm to 2.0 ppm |
| Maximum Zero Shift (+20°C to +40°C) | 0.1 ppm |
| Repeatability | < 2 % of signal |
| Output Linearity | Linear |
| Gain (Only applies to 4-Electrode sensors) | - |

Performance data recorded at 20 – 25 °C, 30 - 50% RH, 900 - 1100 mbar

For further information about usage of Membrapor sensors, see application note [MEM1](#). The data contained in this document is for guidance only. Membrapor AG accepts no liability for any consequential losses, injury or damage resulting from the use of this document or from any omissions or errors herein. Customers should test under their own conditions to ensure that the sensors are suitable for their own requirements.



Nitrogen Dioxide Gas Sensor NO2/V-200

Electrical

| | |
|------------------------------|------------------|
| Rec. Load Resistor | 10 - 33 Ω |
| Bias ($V_{Sens}-V_{Ref}$) | not recommended |
| Conformity to RoHS directive | RoHS Compliance |

Environmental

| | |
|-------------------------|--------------------------------|
| Relative Humidity Range | 15 % to 90 % RH non-condensing |
| Temperature Range | -40 °C to 60 °C |
| Pressure Range | Atmospheric |
| Pressure Coefficient | N.D. |
| Humidity Effect | None |

Lifetime

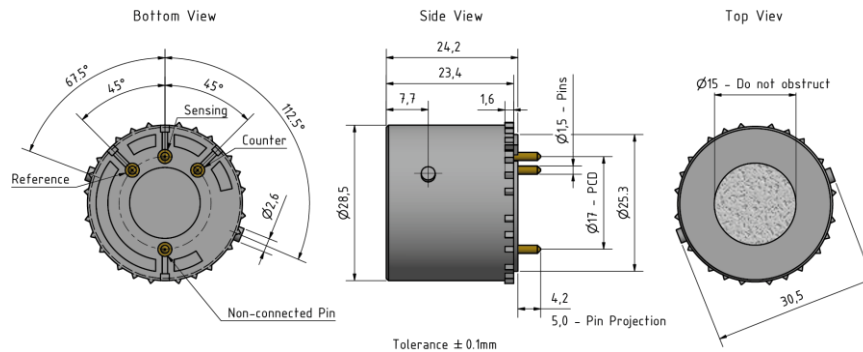
| | |
|--|---------------------------------|
| Expected Operation Life | 3 years in air |
| Expected Long Term Output Drift in air | < 2 % signal loss per month |
| Filter Life | not applicable |
| Storage Life | 6 months in container |
| Rec. Storage Temperature | 5°C - 20°C |
| Warranty Period | 12 months from date of dispatch |

Performance data recorded at 20 – 25 °C, 30 - 50% RH, 900 - 1100 mbar

For further information about usage of Membrapor sensors, see application note [MEM1](#). The data contained in this document is for guidance only. Membrapor AG accepts no liability for any consequential losses, injury or damage resulting from the use of this document or from any omissions or errors herein. Customers should test under their own conditions to ensure that the sensors are suitable for their own requirements.



Nitrogen Dioxide Gas Sensor NO2/V-200



Mechanical

| | |
|------------------|---------------|
| Weight | 16 g |
| Orientation | Any |
| Housing material | Polycarbonate |

Performance data recorded at 20 – 25 °C, 30 - 50% RH, 900 - 1100 mbar

For further information about usage of Membrapor sensors, see application note [MEM1](#). The data contained in this document is for guidance only. Membrapor AG accepts no liability for any consequential losses, injury or damage resulting from the use of this document or from any omissions or errors herein. Customers should test under their own conditions to ensure that the sensors are suitable for their own requirements.



Nitrogen Dioxide Gas Sensor NO2/V-200

Cross Sensitivity Data

The table below does not claim to be complete. We recommend using the target gas for calibration purposes. Using surrogate (interfering) gases can result in inaccuracies in the final calibration. Please contact Membrapor AG for further support regarding cross sensitivities.

| Interfering Gas | Concentration [ppm] | Reading [ppm] |
|--|---------------------|---------------|
| C ₂ H ₄ | 100 | 0 |
| CO | 300 | 0 |
| Cl ₂ | 20 | 2 |
| Ethanol (C ₂ H ₅ OH) | 60 | 0 |
| H ₂ | 300 | 0 |
| NH ₃ | 80 | 0 |
| NO | 50 | <5 |

Performance data recorded at 20 – 25 °C, 30 - 50% RH, 900 - 1100 mbar

For further information about usage of Membrapor sensors, see application note [MEM1](#). The data contained in this document is for guidance only. Membrapor AG accepts no liability for any consequential losses, injury or damage resulting from the use of this document or from any omissions or errors herein. Customers should test under their own conditions to ensure that the sensors are suitable for their own requirements.