

MEMBRAPOR SPECIFICATION SHEET

NO/SGF-2000-S



Nitric Oxide Gas Sensor in Slim Housing

MEASUREMENT

Operation Principle	3-Electrode Electrochemical
Nominal Range	0 – 2'000 ppm
Maximum Overload	5'000 ppm
Inboard Filter	To remove effect of SO ₂ in flue stream
Output Signal	100 ± 20 nA/ppm
Resolution (Electronics dependent)	< 1 ppm
T90 Response Time	< 10 sec
Typical Baseline Range (pure air, 20°C)	5 ppm to 20 ppm
Maximum Zero Shift (+20°C to +40°C)	60 ppm
Repeatability	< 2 % of signal
Output Linearity	Linear
Gain	–

ELECTRICAL

Rec. Load Resistor	10 Ohm
Bias (V _{Sens} -V _{Ref})	300 mV
Conformity to RoHS directive	RoHS Compliance

ENVIRONMENTAL

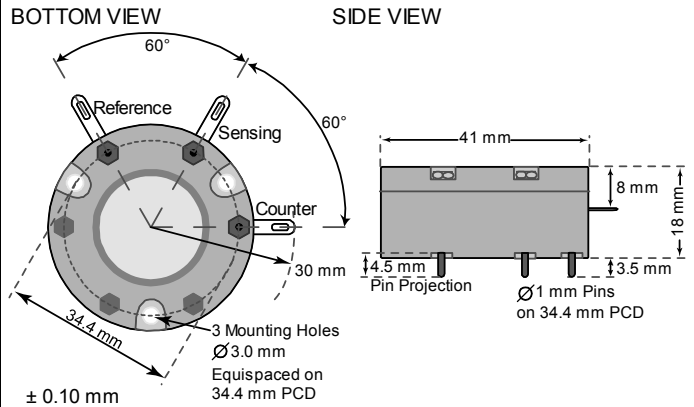
Relative Humidity Range	15 % to 90 % R.H. non-condensing
Temperature Range	-20 °C to 50 °C
Pressure Range	Atmospheric ± 10%
Pressure Coefficient	N.D.
Humidity Effect	none

LIFETIME

Expected Operation Life	3 years in air
Expected Long Term Output Drift in air	N.D.
Filter Life	N.D.
Storage Life	6 months in container
Rec. Storage Temperature	5 °C – 20 °C
Warranty Period	12 months from date of dispatch

Performance data conditions: 20 °C, 50% RH, 1013 mbar

Slim-Size Outline Dimensions



MECHANICAL

Weight	27 g
Position Sensitivity	None

APPLICATIONS

Continuous Stack/ Flue Gas Monitoring

CROSS-SENSITIVITY DATA

The table below does not claim to be complete.

Interfering Gas	Cross-Sens. %
N.D.	

REV.: 12/2016

Page 1 of 1

Phone: +41 43 311 72 00
 Fax: +41 43 311 72 01
 Email: info@membrapor.ch
 www.membrapor.ch

MEMBRAPOR AG
 Birkenweg 2
 CH-8304 Wallisellen
 Switzerland

The data contained in this document is for guidance only. Membrapor AG accepts no liability for any consequential losses, injury or damage resulting from the use of this document or from any omissions or errors herein. Customers should test under their own conditions, to ensure that the sensors are suitable for their own requirements.