



H2S/S-10-S

Hydrogen Sulfide Gas Sensor in Slim Housing

Measurement

Operation Principle	3-Electrode Electrochemical
Nominal Range	0 - 10 ppm
Maximum Overload	20 ppm
Inboard Filter	-
Output Signal	4000 ± 1000 nA/ppm
Resolution (Electronics dependent)	< 0.01 ppm
T90 Response Time	< 40 s
Typical Baseline Range (pure air, 20°C)	-0.3 ppm to 0.9 ppm
Maximum Zero Shift (+20°C to +40°C)	N.D.
Repeatability	< 2 % of signal
Output Linearity	Linear
Gain	-

Electrical

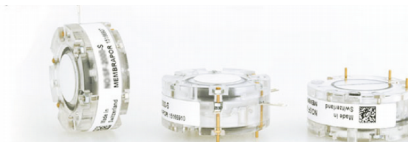
Rec. Load Resistor	10 Ohm
Bias (V_Sens-V_Ref)	not recommended
Conformity to RoHS directive	RoHS Compliance

Environmental

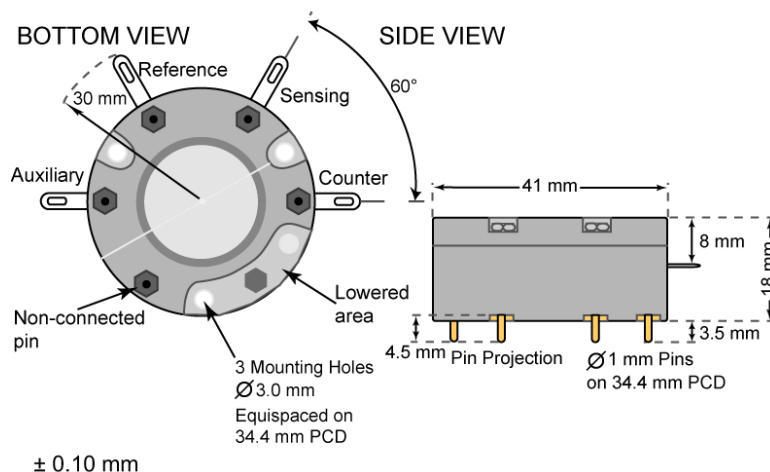
Relative Humidity Range	15 % to 90 % R.H. non-condensing
Temperature Range	-40 °C to 45 °C
Pressure Range	Atmospheric ± 10%
Pressure Coefficient	N.D.
Humidity Effect	None

Lifetime

Expected Operation Life	2 years in air
Expected Long Term Output Drift in air	< 2 % signal loss per month
Filter Life	-
Storage Life	6 months in container
Rec. Storage Temperature	5°C - 20°C
Warranty Period	12 months from date of dispatch



Slim-Size Outline Dimensions



Mechanical

Weight	27 g
Position Sensitivity	None

Applications

Discontinuous Measurement
Safety and Environmental Control

Cross Sensitivity Data

The table below does not claim to be complete. Interfering gases should not be used for calibration. Please contact Membrapor AG for further support regarding cross sensitivities.

Interfering Gas	Concentration [ppm]	Reading [ppm]
CO	200	0.2