

# GasCap/C\_Transmitter

## Suitable for Compact-Sensors (Pin layout: 7-Series) in combination with Membrapor 4-20 mA Transmitter

GasCap/C\_Transmitter is an accessory kit for the gas application to Membrapor Compact gas sensors that are mounted on Membrapor 4-20 mA transmitter. The kit contains the following components:

- 1 pcs gas cap
- 1 pcs gas cap body for transmitters
- 1 pcs O-ring 19.0 x 3.0 mm
- 3 pcs M2 screws with washers to attach the cap to the body
- 3 pcs M3 screws with washers to attach the body to the transmitter



Fig. 1: Gas cap.

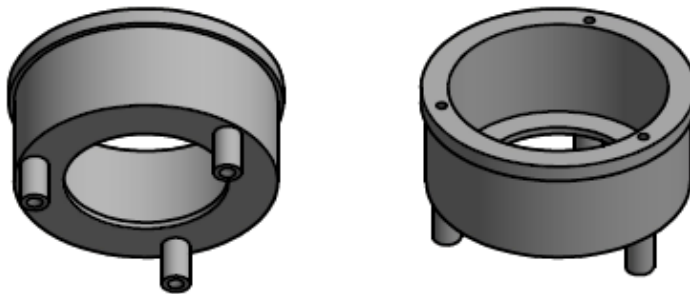


Fig. 2: Gas cap body for transmitters.

## Instructions for use

1. Place the compact sensor within the gas cap body and plug it into the transmitter. Make sure to orient the body bottom and its M3 threads with respect to the corresponding transmitter holes. Consider where the gas cap and thus its connectors will be placed with respect to the gas sampling.
2. Use the provided M3 screws to attach the body to the transmitter.
3. Insert the O-ring into the gas cap and put the gas cap on top of the body.
4. Use the provided M2 screws to attach the cap to the body.

For more information on the operation of Membrapor gas sensors, please refer to [Application Note MEM1](#).

## Technical specifications

### Gas cap

Material	Polycarbonate
Color	Transparent
Weight	~ 8.0 g

Tab. 1: Technical specifications of gas cap.

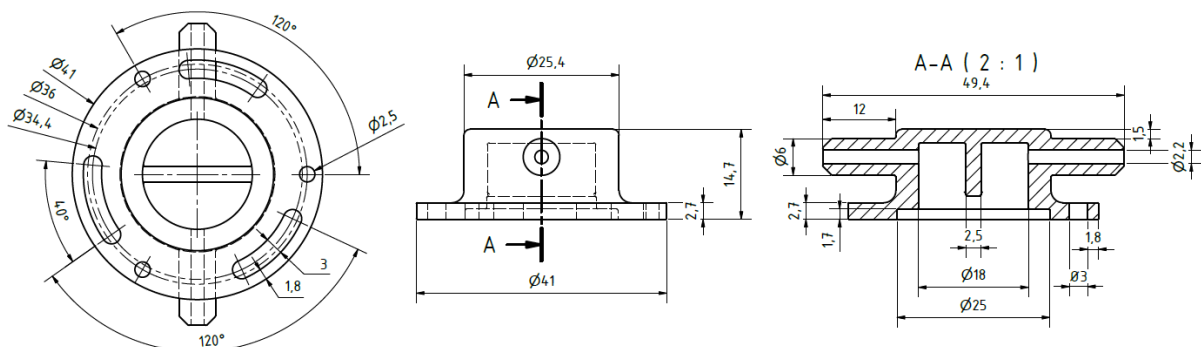


Fig. 3: Dimensions of gas cap: all values in mm.

## Gas cap body for transmitters

Material	Polycarbonate
Color	Transparent
Weight	~ 8.8 g

Tab. 2: Technical specifications of gas cap body for transmitters.

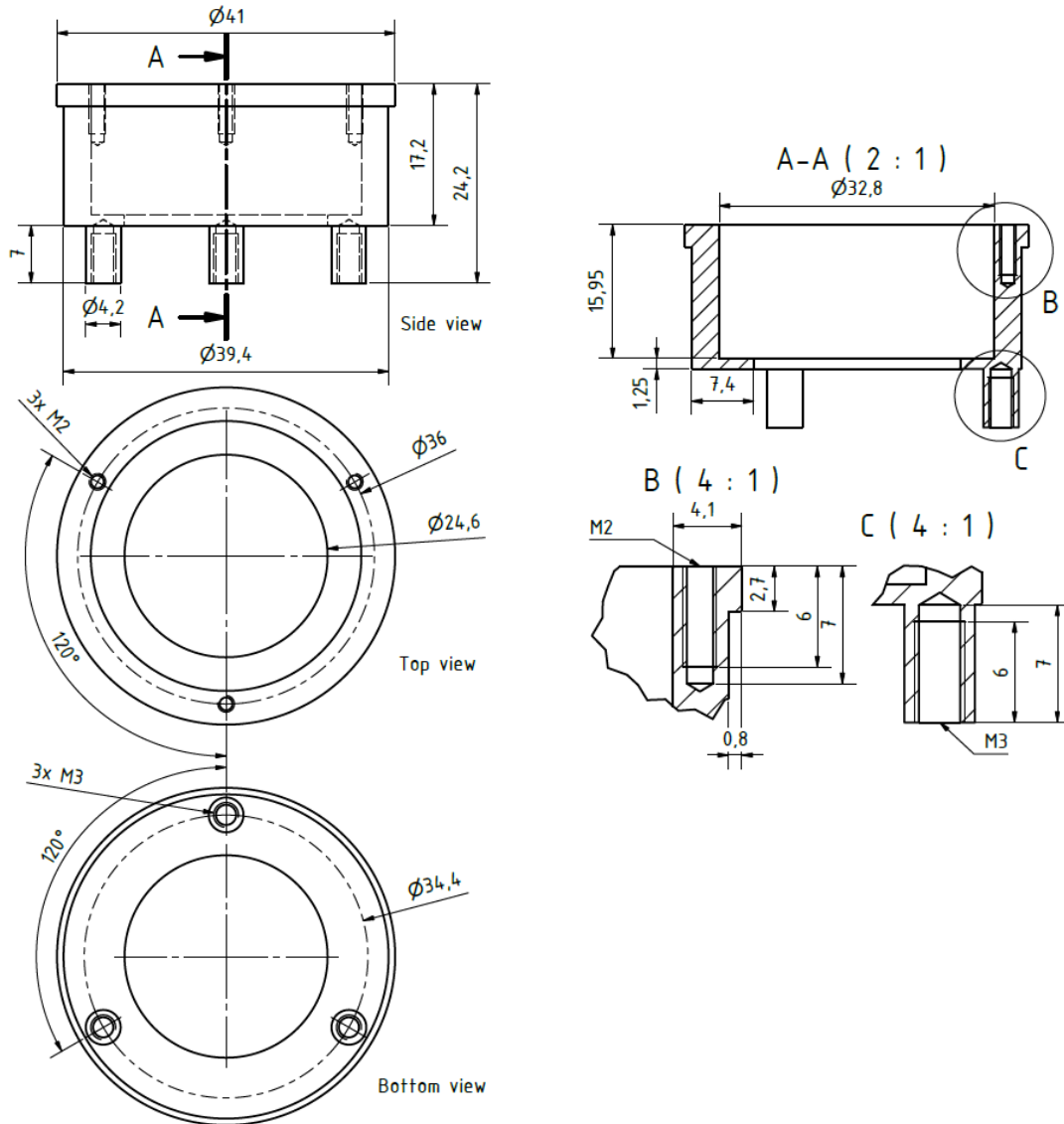


Fig. 4: Dimensions of gas cap body for transmitters: all values in mm.