

GasCap/C_AFE

Suitable for Compact-Sensors (Pin layout: 7-Series)

GasCap/C_AFE is an accessory kit for the gas application to Membrapor Compact gas sensors that are mounted on Membrapor AFEs (part of the MembraSens electronics). The kit contains the following components:

- 1 pcs gas cap
- 1 pcs gas cap AFE adapter ring
- 1 pcs gas cap body
- 1 pcs O-ring 19.0 x 3.0 mm
- 3 pcs M2 screws with washers



Fig. 1: Gas cap.

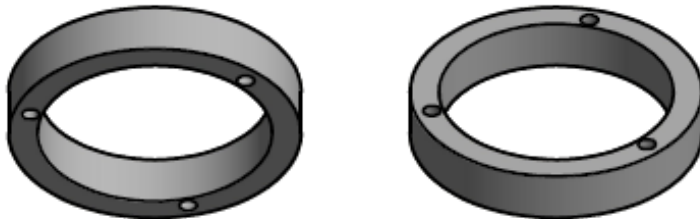


Fig. 2: Gas cap AFE adapter ring.

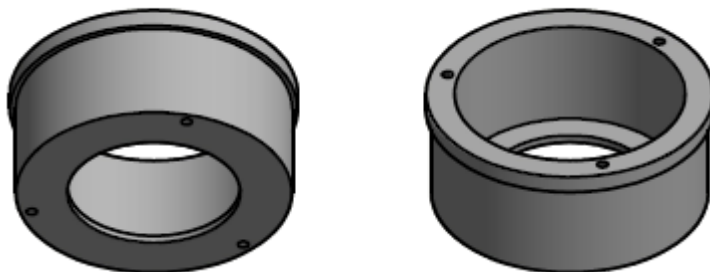


Fig. 3: Gas cap body.

Instructions for use

1. Place the compact sensor, that is already mounted on the AFE, within the gas cap body.
2. Add the gas cap AFE adapter ring onto the body. Make sure to orient the holes with respect to the corresponding holes of the body.
3. Insert the O-ring into the gas cap and put the gas cap on top of the ring.
4. Orient the body, the ring and the gas cap to achieve the required orientation of both the sensor with respect to the electronics and of the connectors with respect to the gas sampling respectively.
5. Use the provided M2 screws to attach the cap and the ring to the body.

For more information on the operation of Membrapor gas sensors, please refer to [Application Note MEM1](#).

Technical specifications

Gas cap

Material	Polycarbonate
Color	Transparent
Weight	~ 8.0 g

Tab. 1: Technical specifications of gas cap.

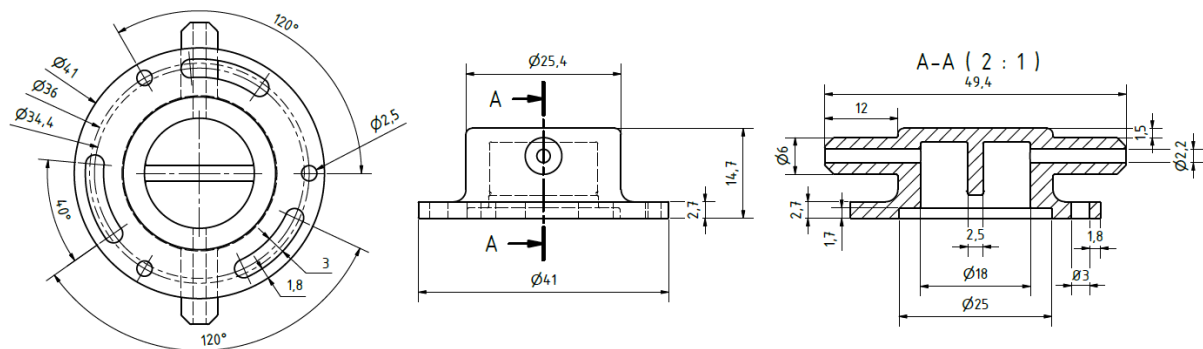


Fig. 4: Dimensions of gas cap: all values in mm.

Gas cap AFE adapter ring

Material	Polycarbonate
Color	Transparent
Weight	~ 3.9 g

Tab. 2: Technical specifications of gas cap AFE adapter ring.

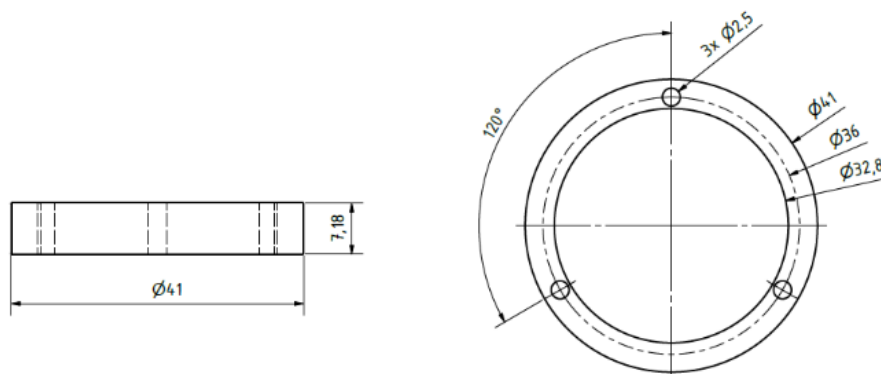


Fig. 5: Dimensions of gas cap AFE adapter ring: all values in mm.

Gas cap body

Material	Polycarbonate
Color	Transparent
Weight	~ 8.4 g

Tab. 3: Technical specifications of gas cap body.

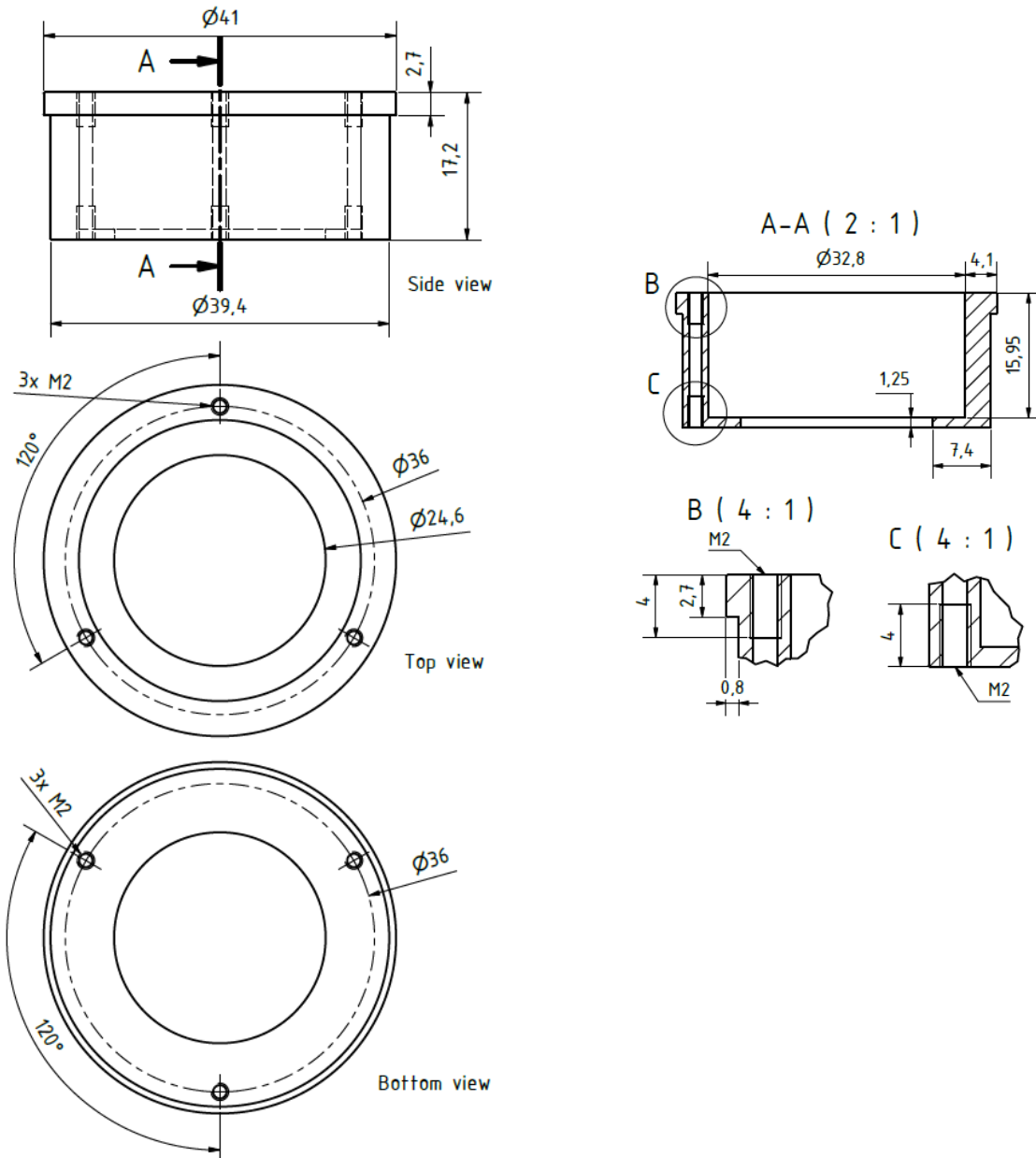


Fig. 6: Dimensions of gas cap body: all values in mm.