

GasCap/C

Suitable for Compact-Sensors (Pin layout: 7-Series)

GasCap/C is an accessory kit for the gas application to Membrapor Compact gas sensors. The kit contains the following components:

- 1 pcs gas cap
- 1 pcs gas cap body
- 1 pcs O-ring 19.0 x 3.0 mm
- 3 pcs M2 screws with washers



Fig. 1: Gas cap.

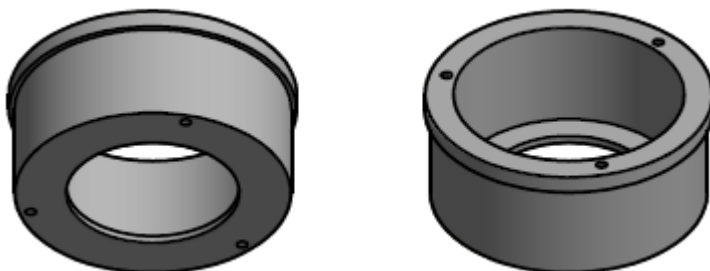


Fig. 2: Gas cap body.

Instructions for use

1. Place the compact sensor within the gas cap body.
2. Insert the O-ring into the gas cap and put the gas cap on top of the body.
3. Orient the body and the gas cap to achieve the required orientation of both the sensor with respect to the electronics and of the connectors with respect to the gas sampling respectively.
4. Use the provided M2 screws to attach the cap to the body.

For more information on the operation of Membrapor gas sensors, please refer to [Application Note MEM1](#).

Technical specifications

Gas cap

Material	Polycarbonate
Color	Transparent
Weight	~ 8 g

Tab. 1: Technical specifications of gas cap.

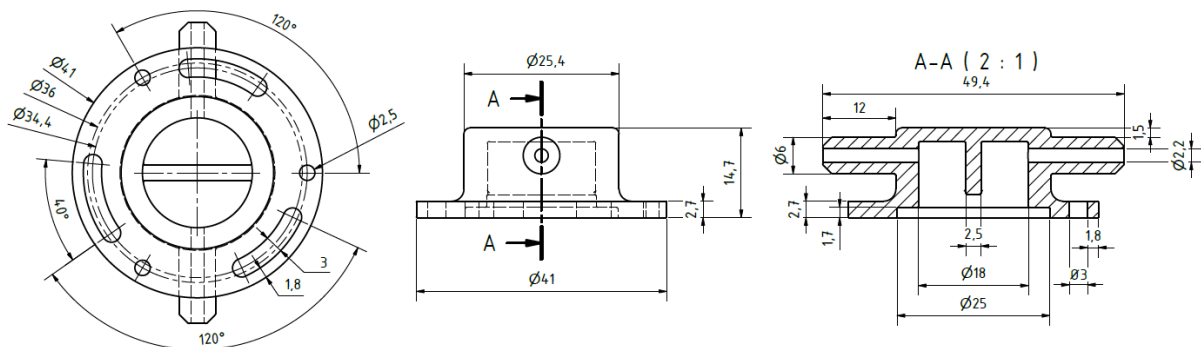


Fig. 3: Dimensions of gas cap: all values in mm.

Gas cap body

Material	Polycarbonate
Color	Transparent
Weight	~ 8.4 g

Tab. 2: Technical specifications of gas cap body.

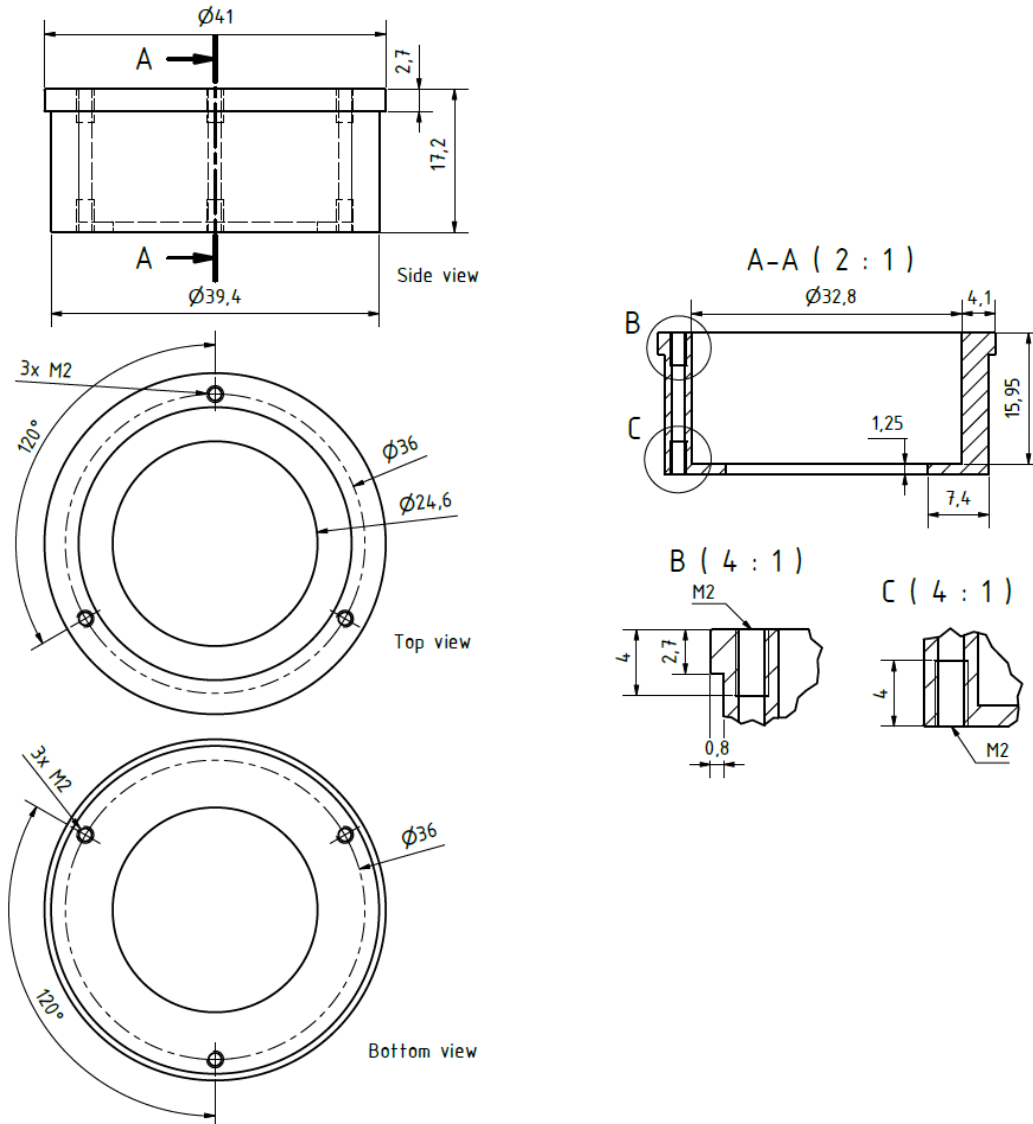


Fig. 4: Dimensions of gas cap body.