

GasCapKit/S

Suitable for Slim- and Standard-Sensors (Pin layout: 3-Series)

GasCap/S is an accessory kit for the gas application to Membrapor Slim and Standard gas sensors. The kit contains the following components:

- 1 pcs gas cap for Slim and Standard gas sensors
- 1 pcs O-ring 19.0 x 3.0 mm
- 3 pcs M2 x 22 mm screws for mounting of Slim sensors
- 3 pcs M2 x 25 mm screws for mounting of Standard sensors
- 3 pcs M2 washers for mounting with screws
- 3 pcs M2 nuts as counter pieces for mounting with screws
- 3 pcs M2.5 screws for custom attachment



Fig. 1: Gas cap for Slim and Standard gas sensors.

Instructions for use

1. Insert the O-ring into the gas cap and put the gas cap on top of the sensor.
2. Use the provided M2 screws and nuts to attach the cap to the sensor.
3. Orient the gas cap to achieve the required orientation of the connectors with respect to the gas sampling by turning the upper part.

For more information on the operation of Membrapor gas sensors, please refer to [Application Note MEM1](#).

Technical specifications

Gas cap

Material	ABS
Color	Blue
Weight	~ 7.3 g

Tab. 1: Technical specifications of gas cap.

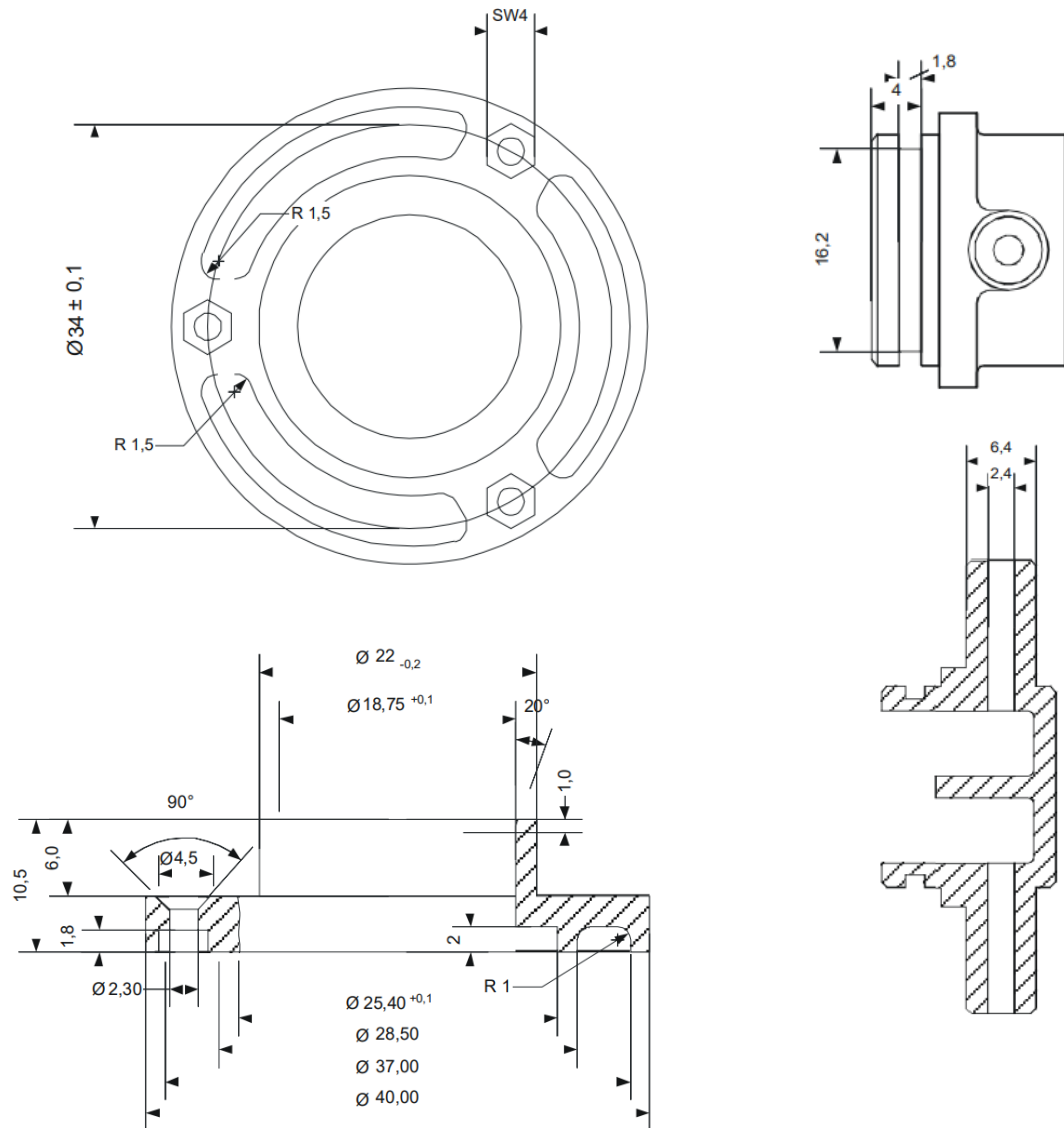


Fig. 2: Dimensions of gas cap: all values in mm.