

# MEMBRAPOR SPECIFICATION SHEET

## CO/SGF-4E-S



### Carbon Monoxide Gas Sensor in Slim Housing

#### MEASUREMENT

Operation Principle	4-Electrode Electrochemical
Nominal Range	0 – 2'000 ppm
Maximum Overload	4'000 ppm
Inboard Filter	To remove acid gases
Output Signal	80 ± 25 nA/ppm
Resolution (Electronics dependent)	< 1 ppm
T90 Response Time	< 40 sec
Typical Baseline Range (pure air, 20°C)	-10 ppm to 5 ppm
Maximum Zero Shift (+20°C to +40°C)	5 ppm
Repeatability	< 2 % of signal
Output Linearity	Linear
Gain	0.5 to 2

#### ELECTRICAL

Rec. Load Resistor	10 Ohm
Bias (V_Sens-V_Ref)	not recommended
Conformity to RoHS directive	RoHS Compliance

#### ENVIRONMENTAL

Relative Humidity Range	15 % to 90 % R.H. non-condensing
Temperature Range	-40 °C to 50 °C
Pressure Range	Atmospheric ± 10%
Pressure Coefficient	N.D.
Humidity Effect	none

#### LIFETIME

Expected Operation Life	2 years in air
Expected Long Term Output Drift in air	N.D.
Filter Life	290000 ppm hours
Storage Life	6 months in container
Rec. Storage Temperature	5 °C – 20 °C
Warranty Period	12 months from date of dispatch

Performance data conditions: 20 °C, 50% RH, 1013 mbar

#### IMPORTANT NOTE

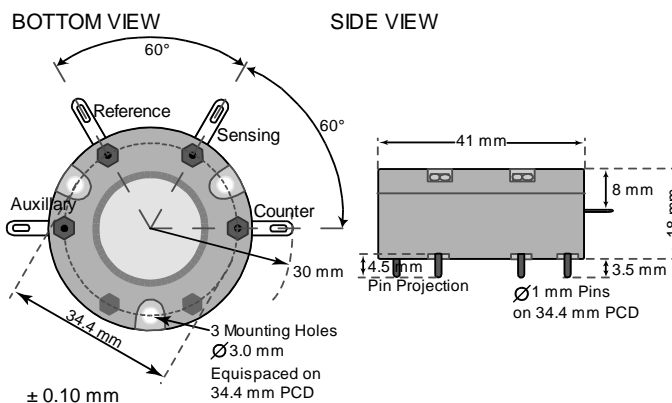
1) Gas removal based on continuous exposure to 140 ppm NOx / SO<sub>2</sub>

2) and 5% breakthrough. Accuracy: ± 4%.

#### SPECIAL FEATURE

Hydrogen-Compensated  
4-Electrode-Sensors

#### Slim-Size Outline Dimensions



#### MECHANICAL

Weight	27 g
Position Sensitivity	None

#### APPLICATIONS

Stack/ Flue Gas Monitoring  
Emission Monitoring  
H<sub>2</sub>-Compensated CO Measurement

#### CROSS-SENSITIVITY DATA

The table below does not claim to be complete. Interfering gases should not be used for calibration.

Interfering Gas	Cross-Sens. %
H <sub>2</sub> S	0
SO <sub>2</sub>	0
NO	0
NO <sub>2</sub>	0
H <sub>2</sub>	< 1 <sup>3</sup>

3) After compensation

REV.: 09/2018

Phone: +41 43 311 72 00

Fax: +41 43 311 72 01

Email: info@membrapor.ch

www.membrapor.ch

The data contained in this document is for guidance only. Membrapor AG accepts no liability for any consequential losses, injury or damage resulting from the use of this document or from any omissions or errors herein. Customers should test under their own conditions, to ensure that the sensors are suitable for their own requirements.

Page 1 of 2

MEMBRAPOR AG  
Birkenweg 2  
CH-8304 Wallisellen  
Switzerland

## CO/SGF-4E-S



### Carbon Monoxide Gas Sensor in Slim Housing

#### TEMPERATURE DEPENDENCE

The output of an electrochemical sensor varies with temperature. The graphs below show the variation in output with temperature for this type of sensor. The results are shown in the graphs as a mean for a batch of sensors. The sensitivity dependence is expressed as a percentage of the signal at 20 °C. The shift in baseline is shown in ppm referenced to 20 °C and a relative humidity of 50%.

Please note:

It is highly recommended to acquire the temperature dependence curves with the whole instrument. The sampling system, the humidity, the electronics, the interaction between the electronics and the sensor, all have a significant impact on the temperature dependence of the final measurement reading.

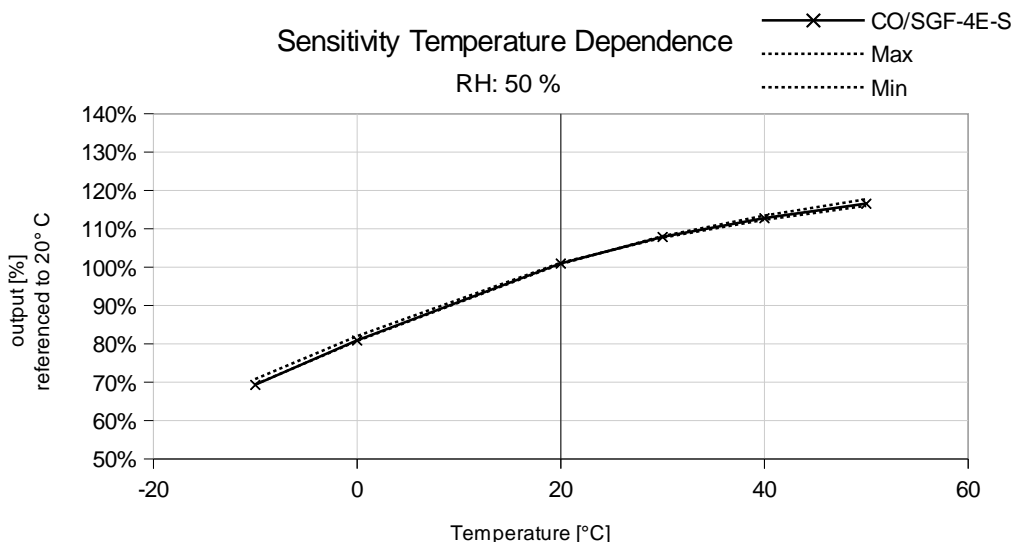


Figure 1: Sensitivity dependence expressed as a percentage of the signal at 20 °C.