



### CO/C-1000

Carbon Monoxide Gas Sensor in Compact Housing

#### Measurement

Operation Principle	3-Electrode Electrochemical
Nominal Range	0 - 1000 ppm
Maximum Overload	2000 ppm
Inboard Filter	-
Output Signal	100 ± 20 nA/ppm
Resolution (Electronics dependent)	< 0.5 ppm
T90 Response Time	< 35 s
Typical Baseline Range (pure air, 20°C)	-2 ppm to 5 ppm
Maximum Zero Shift (+20°C to +40°C)	10 ppm
Repeatability	< 2 % of signal
Output Linearity	Linear
Gain	-

#### Electrical

Rec. Load Resistor	10 Ohm
Bias (V_Sens-V_Ref)	not recommended
Conformity to RoHS directive	RoHS Compliance

#### Environmental

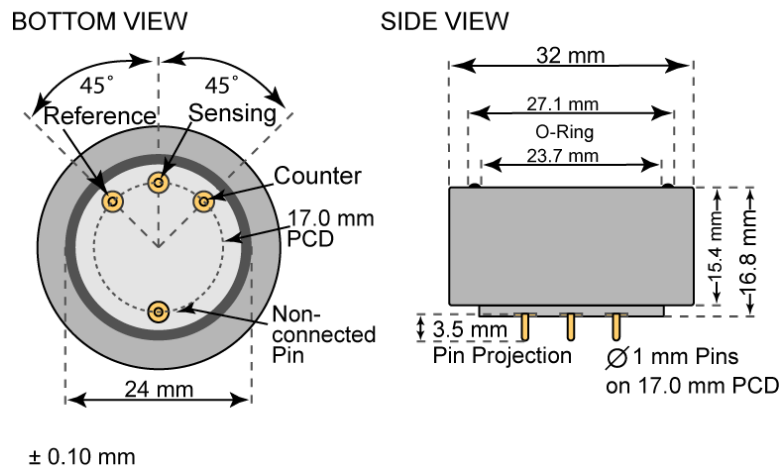
Relative Humidity Range	15 % to 90 % R.H. non-condensing
Temperature Range	-40 °C to 45 °C
Pressure Range	Atmospheric ± 10%
Pressure Coefficient	N.D.
Humidity Effect	None

#### Lifetime

Expected Operation Life	3 years in air
Expected Long Term Output Drift in air	< 2 % signal loss per month
Filter Life	-
Storage Life	6 months in container
Rec. Storage Temperature	5°C - 20°C
Warranty Period	12 months from date of dispatch



### Compact-Size Outline Dimensions



### Mechanical

Weight	13 g
Position Sensitivity	None

### Applications

Continuous Air Quality Monitoring  
Safety and Environmental Control

### Cross Sensitivity Data

The table below does not claim to be complete. Interfering gases should not be used for calibration. Please contact Membrapor AG for further support regarding cross sensitivities.

Interfering Gas	Concentration [ppm]	Reading [ppm]
C <sub>2</sub> H <sub>4</sub>	10	14
CH <sub>2</sub> O	5	15
Cl <sub>2</sub>	20	-11
H <sub>2</sub>	400	< 200
H <sub>2</sub> S	500	1450
NO	50	13
NO <sub>2</sub>	100	-64
O <sub>3</sub>	130	> -500
SO <sub>2</sub>	100	78