



### C2H4/CA-10

Ethene, Ethylene Gas Sensor in Compact Housing

#### Measurement

Operation Principle	3-Electrode Electrochemical
Nominal Range	0 - 10 ppm
Maximum Overload	20 ppm
Inboard Filter	-
Output Signal	350 ± 120 nA/ppm
Resolution (Electronics dependent)	< 0.1 ppm
T80 Response Time	< 60 s
Typical Baseline Range (pure air, 20°C)	-0.3 ppm to 1 ppm
Maximum Zero Shift (+20°C to +40°C)	N.D.
Repeatability	< 2% of signal
Output Linearity	Linear
Gain	-

#### Electrical

Rec. Load Resistor	10 Ohm
Bias (V_Sens-V_Ref)	not recommended
Conformity to RoHS directive	RoHS Compliance

#### Environmental

Relative Humidity Range	15 % to 90 % R.H. non-condensing
Temperature Range	-20 °C to 50 °C
Pressure Range	Atmospheric ± 10%
Pressure Coefficient	N.D.
Humidity Effect	None

#### Lifetime

Expected Operation Life	2 years in air
Expected Long Term Output Drift in air	< 5 % per month
Filter Life	-
Storage Life	6 months in container
Rec. Storage Temperature	5°C - 20°C
Warranty Period	12 months from date of dispatch

REV.: 03.2019

Page 1 of 2

Phone: +41 43 311 72 00  
Fax: +41 43 311 72 01  
E-Mail: [info@membrapor.ch](mailto:info@membrapor.ch)  
Website: [www.membrapor.ch](http://www.membrapor.ch)

Membrapor AG  
Birkenweg 2  
CH-8304 Wallisellen  
Switzerland

Performance data: 20 – 25°C, 50% RH, 1013 mbar

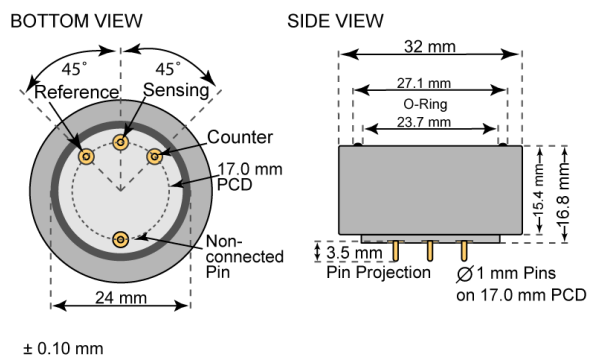
For further information about usage of Membrapor sensors, see application note [MEM1](#).

The data contained in this document is for guidance only. Membrapor AG accepts no liability for any consequential losses, injury or damage resulting from the use of this document or from any omissions or errors herein.

Customers should test under their own conditions, to ensure that the sensors are suitable for their own requirements.



### Compact-Size Outline Dimensions



### Mechanical

Weight	13 g
Position Sensitivity	None

### Applications

Discontinuous Measurement  
Fruit Ripening

### Cross Sensitivity Data

The table below does not claim to be complete. Interfering gases should not be used for calibration. Please contact Membrapor AG for further support regarding cross sensitivities.

Interfering Gas	Concentration [ppm]	Reading [ppm]
CO	100	8
EtOH	600	0 <sup>1)</sup>

<sup>1)</sup> Alcohols can result in baseline shifts.