



Ammonia Gas Sensor NH3/MR-1000-2E

NH3 Gas Sensor in Miniature Housing

Applications

- Leak Detection
- Discontinuous Measurement
- For Portable Gas Detectors

Measurement

| | |
|--|-----------------------------|
| Operation Principle | 2-Electrode Electrochemical |
| Nominal Range | 0 - 1000 ppm |
| Maximum Overload | 2000 ppm |
| Inboard Filter | - |
| Output Signal | 19 ± 7 nA/ppm |
| Resolution (Electronics dependent) | < 2.6 ppm |
| T90 Response Time | < 50 s |
| Typical Baseline Range (pure air, 20°C) | -16.0 ppm to 16.0 ppm |
| Maximum Zero Shift (+20°C to +40°C) | N.D. |
| Repeatability | < 3% of signal |
| Output Linearity | < 5 % full scale |
| Gain (Only applies to 4-Electrode sensors) | - |

Performance data recorded at 20 – 25 °C, 30 - 50% RH, 900 - 1100 mbar

For further information about usage of Membrapor sensors, see application note [MEM1](#). The data contained in this document is for guidance only. Membrapor AG accepts no liability for any consequential losses, injury or damage resulting from the use of this document or from any omissions or errors herein. Customers should test under their own conditions to ensure that the sensors are suitable for their own requirements.



Ammonia Gas Sensor NH3/MR-1000-2E

Electrical

| | |
|------------------------------|------------------|
| Rec. Load Resistor | 10 - 33 Ω |
| Bias (V_Sens-V_Ref) | not allowed |
| Conformity to RoHS directive | RoHS Compliance |

Environmental

| | |
|-------------------------------|--------------------------------|
| Relative Humidity Range | 15 % to 90 % RH non-condensing |
| Temperature Range | -10 °C to 50 °C |
| Pressure Range | Atmospheric |
| Pressure Coefficient | N.D. |
| Humidity Effect ¹⁾ | < 16 ppm |

1) Abrupt changes in rel. humidity causes a short-term transient signal.

Lifetime

| | |
|--|---------------------------------|
| Expected Operation Life | 2 years in air |
| Expected Long Term Output Drift in air | < 5 % signal loss per 6 months |
| Filter Life | not applicable |
| Storage Life | 3 months in container |
| Rec. Storage Temperature | 5°C - 20°C |
| Warranty Period | 12 months from date of dispatch |

Performance data recorded at 20 – 25 °C, 30 - 50% RH, 900 - 1100 mbar

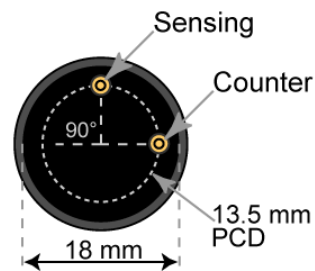
For further information about usage of Membrapor sensors, see application note [MEM1](#). The data contained in this document is for guidance only. Membrapor AG accepts no liability for any consequential losses, injury or damage resulting from the use of this document or from any omissions or errors herein. Customers should test under their own conditions to ensure that the sensors are suitable for their own requirements.



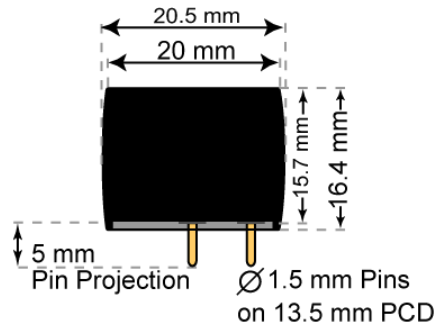
Ammonia Gas Sensor NH3/MR-1000-2E

Miniature-Size Outline Dimensions

BOTTOM VIEW



SIDE VIEW



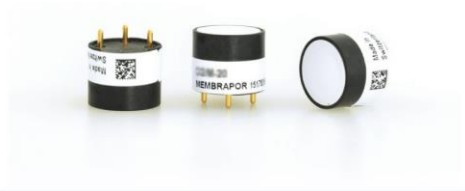
± 0.10 mm

Mechanical

| | |
|------------------|---------------|
| Weight | 5.5 g |
| Orientation | Any |
| Housing material | Polycarbonate |

Performance data recorded at 20 – 25 °C, 30 - 50% RH, 900 - 1100 mbar

For further information about usage of Membrapor sensors, see application note [MEM1](#). The data contained in this document is for guidance only. Membrapor AG accepts no liability for any consequential losses, injury or damage resulting from the use of this document or from any omissions or errors herein. Customers should test under their own conditions to ensure that the sensors are suitable for their own requirements.



Ammonia Gas Sensor NH3/MR-1000-2E

Cross Sensitivity Data

The table below does not claim to be complete. We recommend using the target gas for calibration purposes. Using surrogate (interfering) gases can result in inaccuracies in the final calibration. Please contact Membrapor AG for further support regarding cross sensitivities.

| Interfering Gas | Concentration [ppm] | Reading [ppm] |
|------------------|---------------------|---------------|
| CO | 300 | 0 |
| CO ₂ | 20000 | 0 |
| Cl ₂ | 20 | -55 |
| H ₂ | 200 | 0 |
| H ₂ S | 20 | < 0.5 |
| NO | 20 | -1 |
| NO ₂ | 20 | -20 |
| SO ₂ | 20 | -7 |

Important Notes

- Long term exposures and high concentrations of SO₂, H₂S, NO, NO₂ can affect the performance characteristics.

Performance data recorded at 20 – 25 °C, 30 - 50% RH, 900 - 1100 mbar

For further information about usage of Membrapor sensors, see application note [MEM1](#). The data contained in this document is for guidance only. Membrapor AG accepts no liability for any consequential losses, injury or damage resulting from the use of this document or from any omissions or errors herein. Customers should test under their own conditions to ensure that the sensors are suitable for their own requirements.