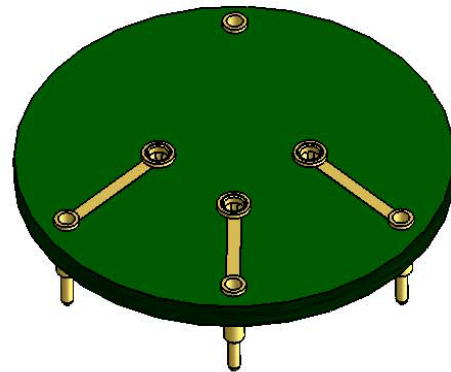
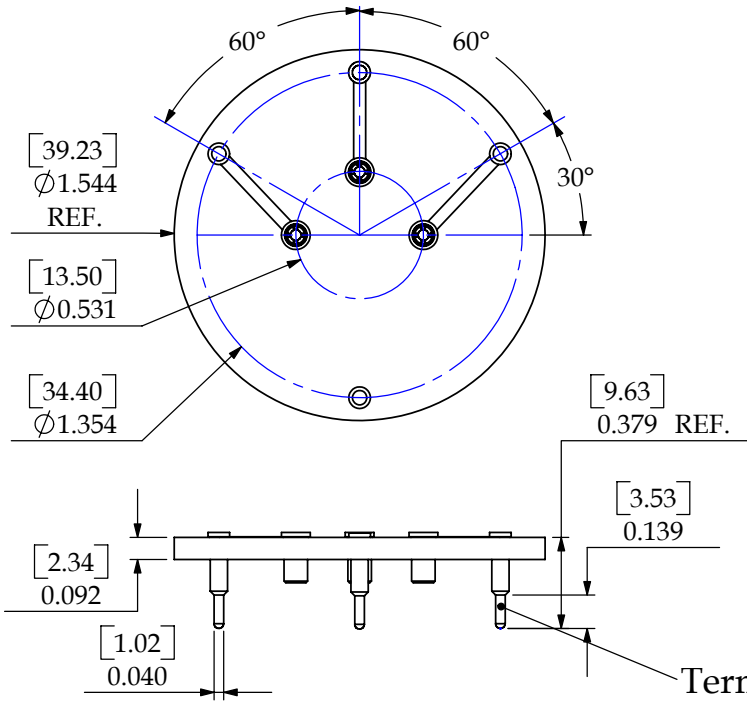


## MEMBRAPOR SERIES 4 TO SERIES 3 ADAPTER



Andon Electronic Corporation's  
RA530-0304-02-440P55-R27-X14  
Sensor Socket Adapter for  
Memrapor Miniature Sensors

### TECHNICAL INFORMATION

#### Description:

The Memrapor Miniature Sensor plugs into the -440P55 Terminals on this socket and converts the Series 4 pin layout to the Series 3 pin layout.

#### Andon Part Number:

RA530-0304-02-440P55-R27-X14

#### Material:

Insulator: FR-4  
Terminal: Brass, per ASTM-B16  
Contact: BeCu, per ASTM-B194

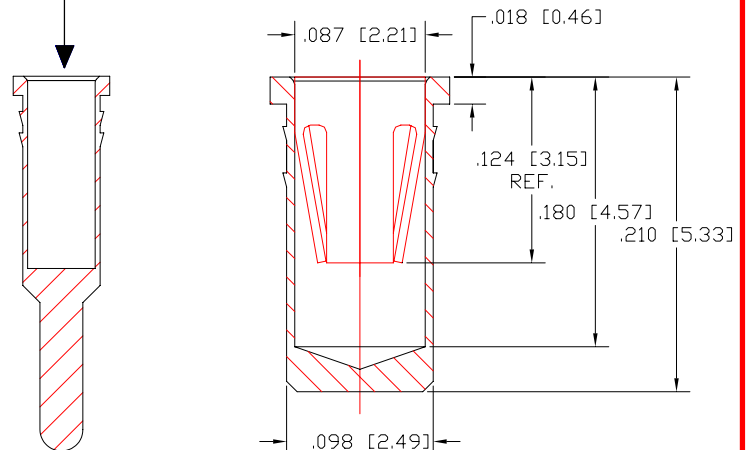
#### Forces:

Insertion: 15.52 oz [440 g] Max  
Withdrawal: 2.12 oz [60 g] Min  
Acceptable Pin Range: .048 [1.22] - .064 [1.63]  
Dia Pins

#### Plating:

Terminal: Gold,  $10\mu$  in. Minimum  
Contact: Gold,  $10\mu$  in. Minimum

### -440P55 Terminal Data



Dimensions are shown in Inches [Millimeters] We reserve the right to change specifications without notice.  
©Copyright 2008 Andon Electronics Corporation. All Rights Reserved. This material is protected under U.S. and other copyrights  
and may not be copied, sold or redistributed in any form without the written permission of Andon Electronics Corporation.

MMPRRA43DS  
041408

ANDON ELECTRONICS CORPORATION  
4 COURT DRIVE LINCOLN, RI 02865 USA

TEL: (401) 333-0388 FAX: (401) 333-0287  
EMAIL: Info@andonelect.com  
WEB: www.andonelect.com

**MEMBRAPOR** Electrochemical Gas Sensors

TEL: +41 43 311 72 00 FAX: +41 43 311 72 01  
EMAIL: Info@memrapor.ch  
WEB: www.memrapor.ch