

SPECIFICATION SHEET FOR SO₂ SENSOR TYPE SO2/S-2000

PERFORMANCE CHARACTERISTICS

Nominal Range	0 – 2000 ppm
Maximum Overload	5000 ppm
Expected Operation Life	2 years in air
Output Signal	100 ± 20 nA/ppm
Resolution	1 ppm
Temperature Range	- 20 °C to 45 °C
Pressure Range	Atmospheric ± 10%
Pressure Coefficient	No data
T ₉₀ Response Time	< 20 sec
Relative Humidity Range	15 % to 90 % R.H. non-condensing
Typical Baseline Range (pure air, 20°C)	-2 to +2 ppm
Maximum Zero Shift (+20°C to +40°C)	5 ppm
Long Term Output Drift	< 2% signal loss/month
Recommended Load Resistor	10 Ohm
Bias Voltage	Not required
Repeatability	< 2 % of signal
Output Linearity	Linear

PHYSICAL CHARACTERISTICS

Weight	~ 32 g
Position Sensitivity	None
Storage Life	Six months in container
Recommended Storage Temperature	5 °C – 20 °C
Warranty Period	12 months from date of dispatch

CROSS-SENSITIVITY DATA

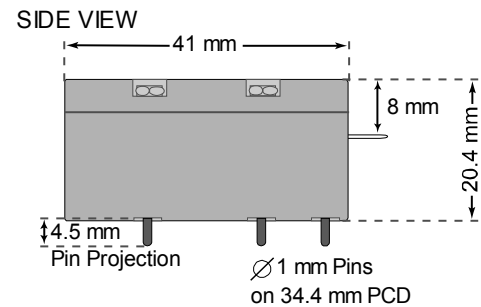
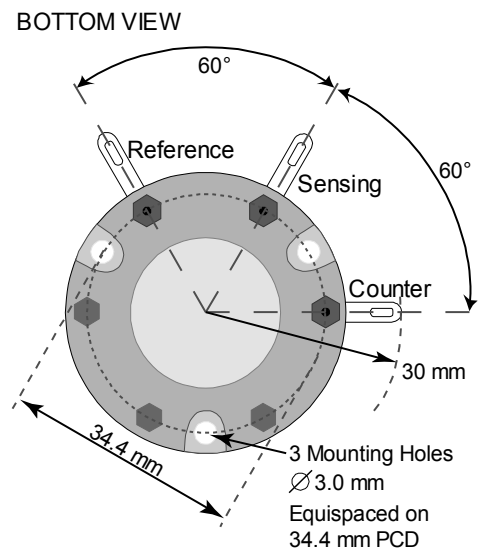
Interfering Gas	Concentration	Reading
CO	1000 ppm	< 3 ppm
H ₂ S	100 ppm	~ 200 ppm
NO	100 ppm	0 ppm
NO ₂	100 ppm	~ -125 ppm
H ₂	1000 ppm	< 2 ppm
Ethylene	100 ppm	~60 ppm

Performance data conditions:
20 °C, 50% RH and 1013 mbar

APPLICATIONS

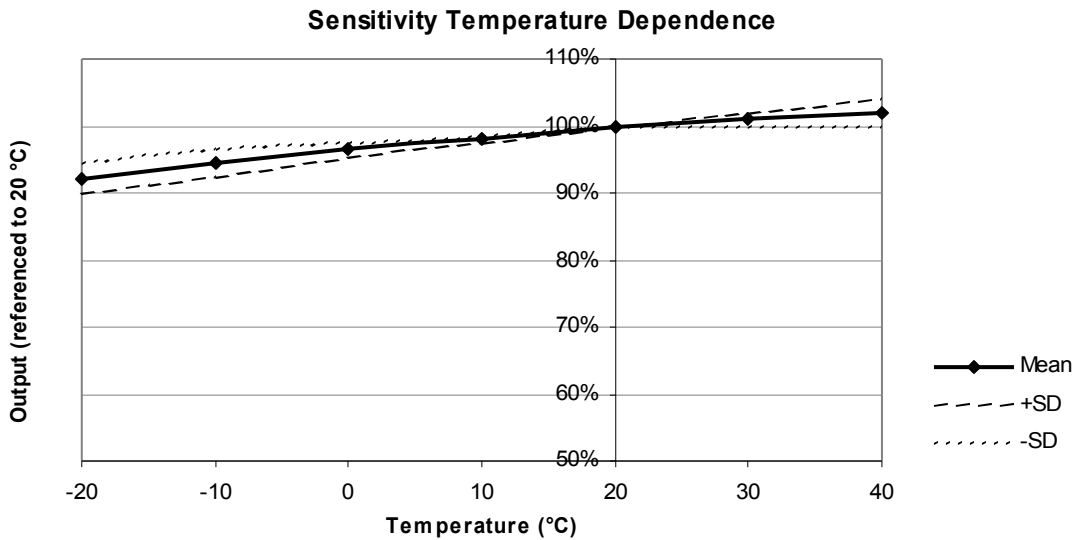
Stack/ Flue Gas Monitoring, Emission Monitoring

Standard-Size Outline Dimensions



SPECIFICATION SHEET FOR SO₂ SENSOR TYPE SO2/S-2000

The output of an electrochemical sensor varies with temperature. The graphs below show the variation in output with temperature for this type of sensor. The results are shown in the graphs as a mean for a batch of sensors, along with confidence intervals corresponding to ± 3 times the standard deviation. The sensitivity dependence is expressed as a percentage of the signal at 20 °C. The shift in baseline is shown in ppm referenced to 20 °C.



The baseline is virtually not affected by changes in temperature.