

# MEMBRAPOR SPECIFICATION SHEET

## H<sub>2</sub>S/CG-10000



### Hydrogen Sulfide Gas Sensor in Compact Housing

#### MEASUREMENT

Operation Principle	3-Electrode Electrochemical
Nominal Range	0 – 10'000 ppm
Maximum Overload	20'000 ppm
Inboard Filter	–
Output Signal	15 ± 5 nA/ppm
Resolution (Electronics dependent)	< 3 ppm
T90 Response Time	< 35 sec
Typical Baseline Range (pure air, 20°C)	-60 ppm to 60 ppm
Maximum Zero Shift (+20°C to +40°C)	8 ppm
Repeatability	< 2 % of signal
Output Linearity	Linear
Gain	–

#### ELECTRICAL

Rec. Load Resistor	10 Ohm
Bias (V <sub>Sens</sub> -V <sub>Ref</sub> )	+0 mV
Conformity to RoHS directive	RoHS Compliance

#### ENVIRONMENTAL

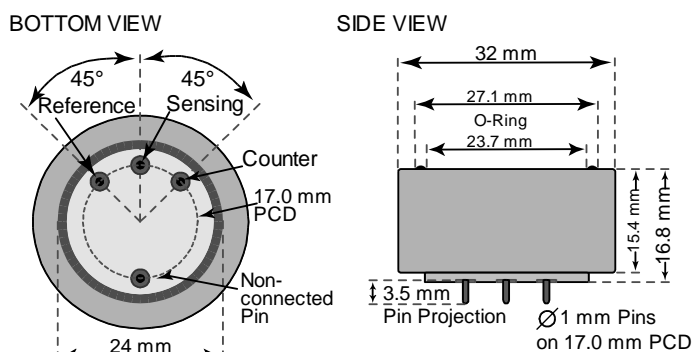
Relative Humidity Range	15 % to 90 % R.H. non-condensing
Temperature Range	-20 °C to 50 °C
Pressure Range	Atmospheric ± 10%
Pressure Coefficient	N.D.
Humidity Effect	none

#### LIFETIME

Expected Operation Life	2 years in air
Expected Long Term Output Drift in air	< 2 % per month
Filter Life	–
Storage Life	6 months in container
Rec. Storage Temperature	5 °C – 20 °C
Warranty Period	12 months from date of dispatch

Performance data conditions: 20 °C, 50% RH, 1013 mbar

#### Compact-Size Outline Dimensions



± 0.10 mm

#### MECHANICAL

Weight	13 g
Position Sensitivity	None

#### APPLICATIONS

Discontinuous Measurement  
Biogas Analyzer  
Safety and Environmental Control

#### CROSS-SENSITIVITY DATA

The table below does not claim to be complete. Interfering gases should not be used for calibration.

Interfering Gas	Cross-Sens. %
N.D.	%

REV.: 07/2018

Phone: +41 43 311 72 00  
Fax: +41 43 311 72 01  
Email: info@membrapor.ch  
www.membrapor.ch

Page 1 of 1  
MEMBRAPOR AG  
Birkenweg 2  
CH-8304 Wallisellen  
Switzerland

The data contained in this document is for guidance only. Membrapor AG accepts no liability for any consequential losses, injury or damage resulting from the use of this document or from any omissions or errors herein. Customers should test under their own conditions, to ensure that the sensors are suitable for their own requirements.