

MEMBRAPOR SPECIFICATION SHEET

Alc/C-100



Alcohol Gas Sensor in Compact Housing

MEASUREMENT

Operation Principle	3-Electrode Electrochemical
Nominal Range	0 – 100 ppm
Maximum Overload	200 ppm
Inboard Filter	–
Output Signal	1600 ± 600 nA/ppm
Resolution (Electronics dependent)	< 0.1 ppm
T90 Response Time	< 25 sec
Typical Baseline Range (pure air, 20°C)	0.4 ppm to 1.4 ppm
Maximum Zero Shift (+20°C to +40°C)	N.D.
Repeatability	< 2 % of signal
Output Linearity	Linear
Gain	–

ELECTRICAL

Rec. Load Resistor	10 Ohm
Bias (V_Sens-V_Ref)	+300 mV
Conformity to RoHS directive	RoHS Compliance

ENVIRONMENTAL

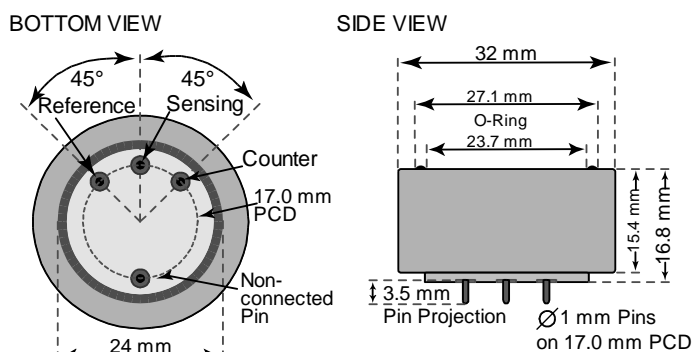
Relative Humidity Range	15 % to 90 % R.H. non-condensing
Temperature Range	-40 °C to 50 °C
Pressure Range	Atmospheric ± 10%
Pressure Coefficient	N.D.
Humidity Effect	none

LIFETIME

Expected Operation Life	2 years in air
Expected Long Term Output Drift in air	< 2 % per month
Filter Life	–
Storage Life	6 months in container
Rec. Storage Temperature	5 °C – 20 °C
Warranty Period	12 months from date of dispatch

Performance data conditions: 20 °C, 50% RH, 1013 mbar

Compact-Size Outline Dimensions



± 0.10 mm

MECHANICAL

Weight	13 g
Position Sensitivity	None

APPLICATIONS

Continuous Air Quality Monitoring
Safety and Environmental Control

CROSS-SENSITIVITY DATA

The table below does not claim to be complete. Interfering gases should not be used for calibration.

Interfering Gas	Conc. ppm	Reading ppm
CO	100	1
unsat. Hydrocarbons		

REV.: 09/2017

Phone: +41 43 311 72 00
Fax: +41 43 311 72 01
Email: info@memrapor.ch
www.memrapor.ch

Page 1 of 1
MEMBRAPOR AG
Birkenweg 2
CH-8304 Wallisellen
Switzerland

The data contained in this document is for guidance only. Memrapor AG accepts no liability for any consequential losses, injury or damage resulting from the use of this document or from any omissions or errors herein. Customers should test under their own conditions, to ensure that the sensors are suitable for their own requirements.